



INSTALLATION INSTRUCTIONS

1) DESCRIPTION:

HITCH ASSEMBLY

2) APPLICATION:

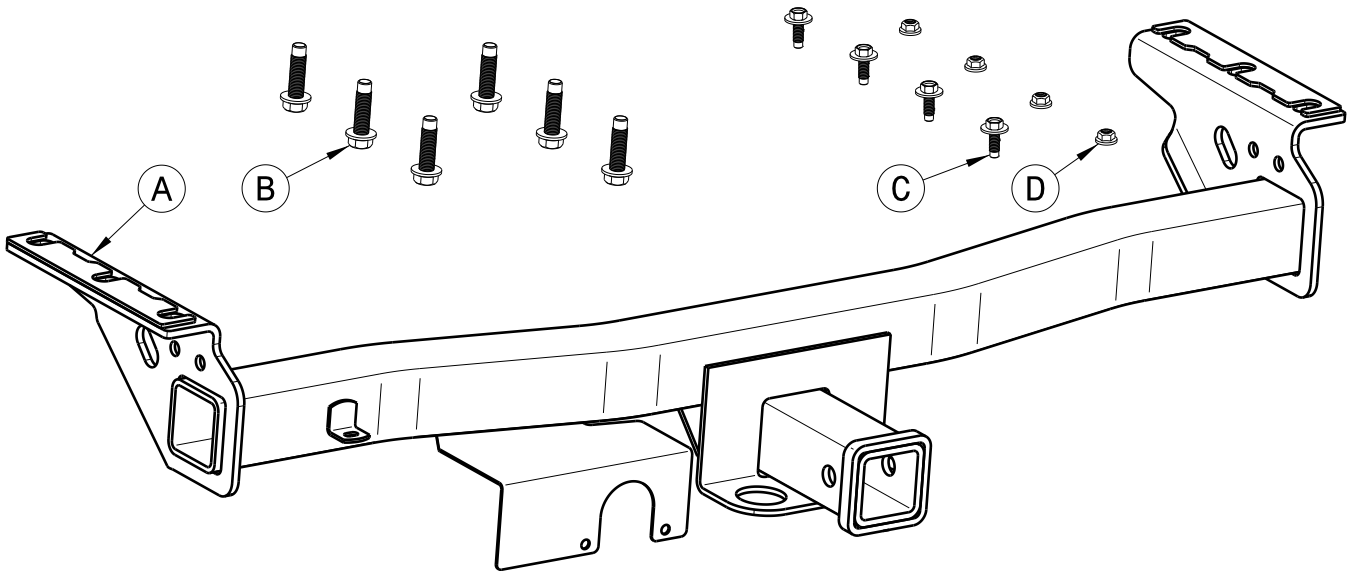
NISSAN FRONTIER 05' & LATER

3) PART NUMBER:

999T5-BY500

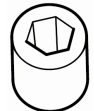
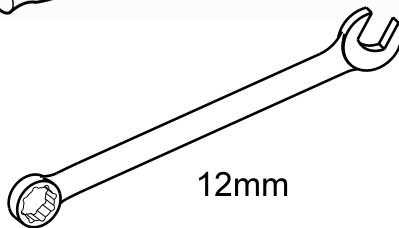
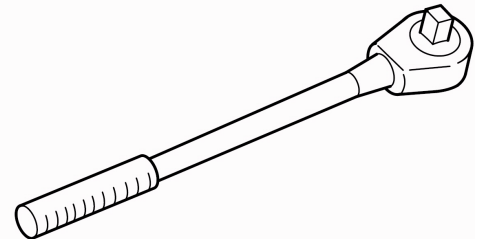
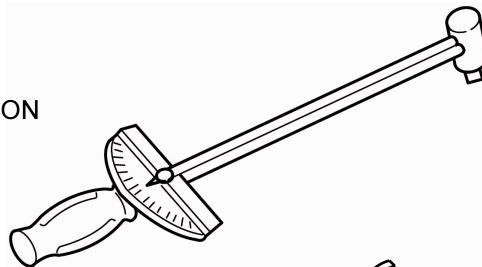
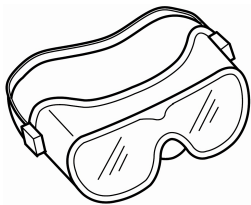
4) KIT CONTENTS:

ITEM	QTY	DESCRIPTION
A	1	HITCH ASSEMBLY
B	6	HEX FLANGE BOLT (M12)
C	4	HEX FLANGE BOLT (M8)
D	4	HEX FLANGE NUT (M8)



5) TOOLS REQUIRED:

- SAFETY GLASSES
- SOCKET WRENCH
- SOCKET WRENCH EXTENSION
- 12mm & 17mm SOCKET
- 12mm BOX WRENCH
- TORQUE WRENCH



12mm

17mm

6) INSTALLATION PRECAUTIONS / NOTES:

1. STUDY ILLUSTRATIONS AND READ THE INSTRUCTIONS CAREFULLY BEFORE ATTEMPTING ASSEMBLY.
2. ALWAYS WEAR SAFETY GLASSES WHILE WORKING UNDER ANY VEHICLE.

INSTALLATION INSTRUCTIONS

7) ASSEMBLY INSTALLATION:

1. OPEN THE BOX AND PACKAGE CONTENTS AND VERIFY CONTENTS AGAINST KIT CONTENTS LIST.
2. CONFIRM THAT THE FRAME MOUNTING SURFACE IS FLAT BY REMOVING DIRT AND BODY SEALER FROM THE BOTTOM OF THE FRAME RAIL.
3. ALIGN HITCH WITH HOLES IN THE VEHICLE FRAME & INSTALL (6) M12 HEX FLANGE BOLTS.
4. IF VEHICLE IS EQUIPPED WITH FRAME PLATES, INSTALL (4) M8 HEX FLANGE BOLTS & (4) M8 HEX FLANGE NUTS THROUGH THE DRIVER & PASSENGER SIDE OF THE VEHICLE FRAME & HITCH ASSEMBLY. (IF VEHICLE FRAME IS NOT EQUIPPED WITH FRAME PLATES, SKIP TO STEP 6 AND DISCARD THE (4) M8 BOLTS & (4) M8 NUTS.)
5. TORQUE THE (4) INSTALLED M8 BOLTS TO 19-25 N•m (14-18.5 FT-LB)
6. TORQUE THE (6) INSTALLED M12 BOLTS TO 85-115 N•m (63-85 FT-LB)

